

teal

Multi-Purpose Plinth / SFPE01

4 in 1 electric couch/chair the easily fits into the smallest room and allows patients to sit in a chair position.



Standard Features

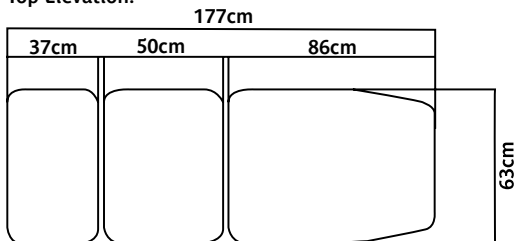
- Suitable for phlebotomy, minor surgery, gynaecology, general examination
- Retractable rubber castors
- Phlebotomy arm (x1),
- gynaecology stirrups (x2) and quick release plaster treatment table (x1) as standard
- Gas spring assisted back & foot section
- Extra low entry height for wheelchair transfer
- World leading Linak "High Reliability" actuators

Optional Features

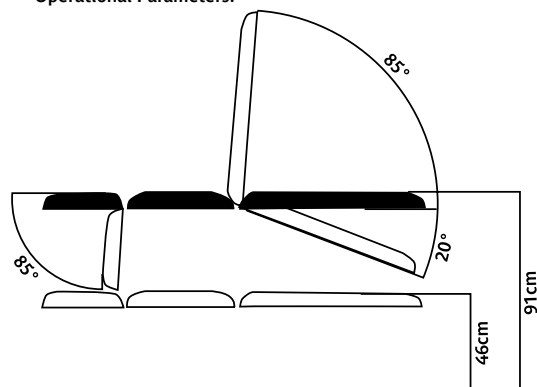
- Hydraulic option (SFPH01)
- Breathing hole
- Extra wide upholstery (75cm)
- Paper roll holder
- Electric backrest
- Tilting seat for Trendelenburg
- Large range of healthcare vinyl options
- Matching operators stool or saddle stool

Dimensions

Top Elevation:



Operational Parameters:



Finish Options

