

Dawley Bedroom Range

Classic shaker style bedroom furniture with a contemporary edge, Dawley with contrast finish top and stylish handles is a refined addition to any bedroom.



Standard Features

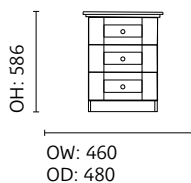
- 18mm MFC carcass with 18mm cam and dowelled back
- 36mm double-step MFC Top (made of 2 x 18mm panels with overhang)
- 18mm vinyl wrapped drawer fronts for long lasting appearance
- 110° soft closing hinges on all doors
- Box construction drawers with bearing runners
- Internal hanging rail
- Stylish matt nickel finished door and drawer handles

Optional Features

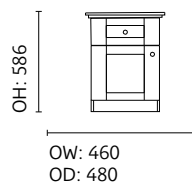
- Key lock option (available on top drawer of all bedside units)
- Desk top available with a flush top (2mm overhang)
- LHF overhang (max 20mm on LHF side, 2mm on RHF side)
- RHF overhang (max 20mm on RHF side, 2mm on LHF side)
- Full overhang (max 20mm both LHF & RHF side)
- Wood finish options
- Range of mirrors available with glass or polycarbonate safety glass for added safety
- Internal shelf pack

Technical Information

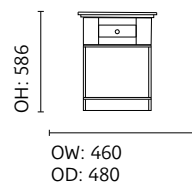
Dimensions:



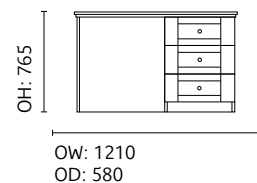
CADA01
Bedside Unit
3 Drawers



CADA02
Bedside Unit Upper
Drawer Lower Door



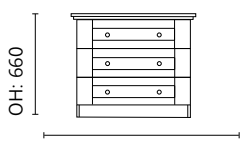
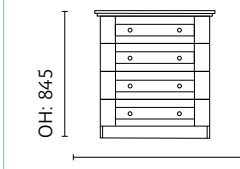
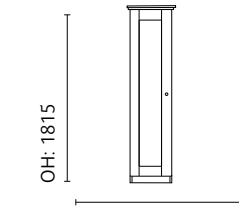
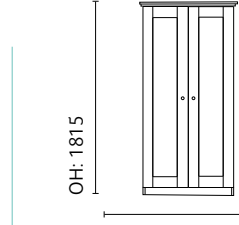
CADA03
Bedside Unit
Upper Drawer
Open Lower

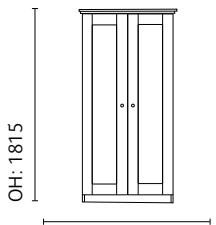


CADA32
Dressing Table
3 Drawer Pedestal

Technical Information

Dimensions:

 <p>OH: 660 OW: 810 OD: 480</p> <p>CADA07 Chest of Drawers 3 Drawers</p>	 <p>OH: 845 OW: 810 OD: 480</p> <p>CADA08 Chest of Drawers 4 Drawers</p>	 <p>OH: 1815 OW: 610 OD: 610</p> <p>CADA10 Single Wardrobe</p>	 <p>OH: 1815 OW: 760 OD: 610</p> <p>CADA11 Double Wardrobe</p>
--	--	--	--



OH: 1815
OW: 910
OD: 610

CADA12
Double Wardrobe

Finish Options

Wood & flat finishes can be found [Here](#)

Upholstery Selections can be found [Here](#)

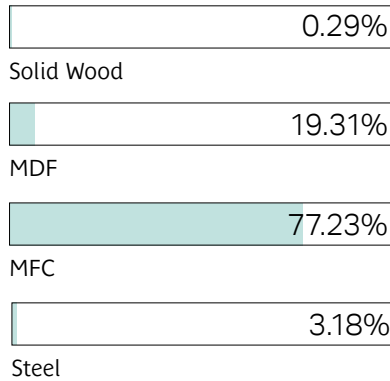
Colour Disclaimer: Printed images and digital images may appear differently to the final finish.



CADA12 DAWLEY ENVIRONMENTAL PERFORMANCE:

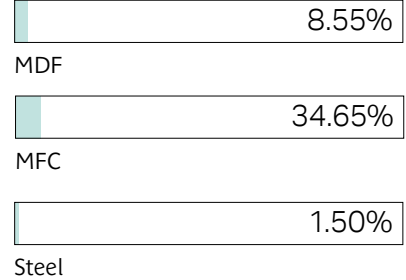
Material Content

Components are constructed of the following:



Recycled Content

Contains up to 53% of Recycled Material



Recyclability

This range is 99% recyclable

99%

3 R's



Teal is committed to continually improving the sustainability of all environmental aspects within our business.

To meet both international standards and our own environmental targets we apply the three R's principle

Reduce, Reuse and Recycle.

Whilst recycling is the element which receives the most exposure it is actually the last option available and should never be the prime target in anyone's battle to reduce waste.

It is our duty as individuals and as a company to initially attempt to Reduce usage. Then we should look to Reuse wherever possible and finally, only after these two processes have been exhausted, should we consider Recycling.

-  **Life cycle understanding**
-  **Waste elimination**
-  **Recycled content innovation**
-  **End of life solutions**

